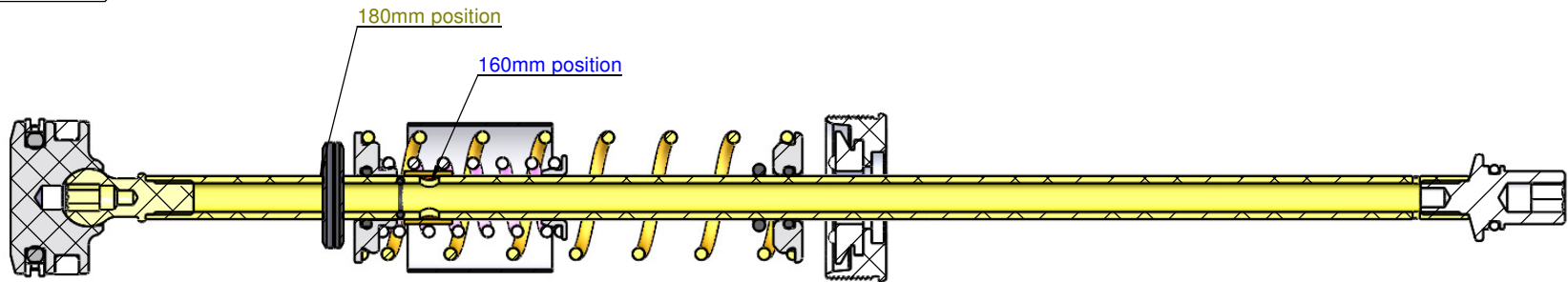
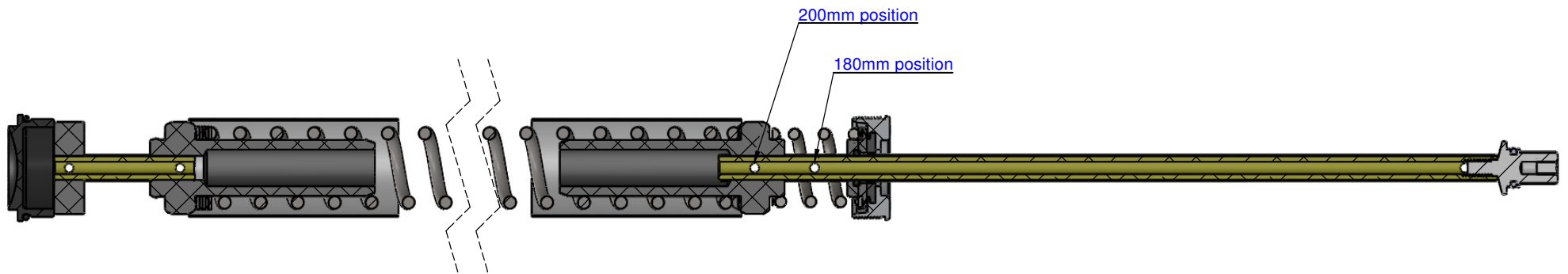


METRIC



RV1



PROPRIETARY AND CONFIDENTIAL

THE INFORMATION CONTAINED IN THIS DRAWING IS THE SOLE PROPERTY OF X FUSION. ANY REPRODUCTION IN PART OR AS A WHOLE WITHOUT THE WRITTEN PERMISSION OF X FUSION IS PROHIBITED.



UNLESS OTHERWISE SPECIFIED: DIMENSIONS ARE IN MILLIMETERS & PER ANSI/ASME Y14.5M

DRAWN
APPV'D

NAME
JOHNSON.L
JOHNSON.L

Model:

METRIC/RV1

DO NOT SCALE DRAWING